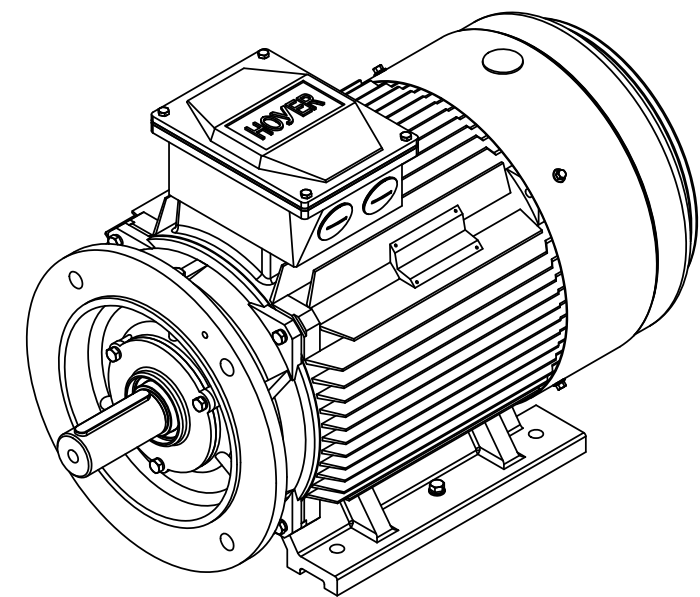



SECTION A-A
SCALE 1 : 2



Remark:

- 1、 Eye bolt M12
- 2、 Blind caps are 2xM40x1.5 and 2xM20x1.5

 Hoyer Motors Over Hadstensevej 42, DK-8370 Hadsten Tel : +45 86982111 Fax : +45 86981779 www.hoyermotors.com		DEBUR AND BREAK SHARP EDGES	DO NOT SCALE DRAWING		REVISION	01
			TITLE:		HMC3-180L-2,4,6p-B35	
DRAWN	JJI	SIGNATURE	DATE	20140818		
CHK'D						
APPV'D						
MFG						
Q.A					MATERIAL:	cast iron
				WEIGHT: kg	SCALE:1:10	SHEET 1 OF 1
				DWG NO.	90023	A3